



MiniPID 2 PPM WR

OEM Gas Sensor with State of the Art Sensing Technology

MiniPID 2 PPM WR is a simple plug-and-play sensor able to deliver a dynamic and dependable response to thousands of volatile organic compounds (VOCs) across many diverse applications.



Key Features

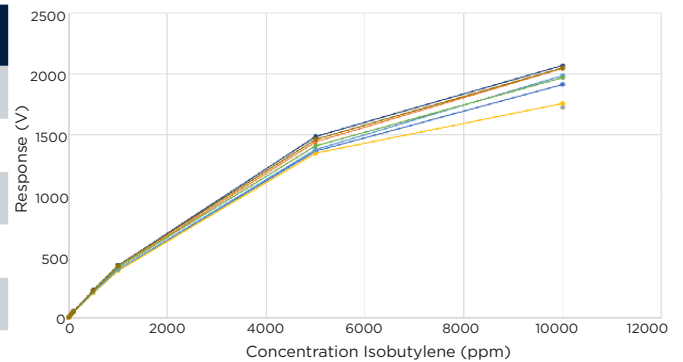
- Wide dynamic range
- Anti-contamination design
- Humidity resistant
- 10,000 hours lamp life
- Lamp out diagnostic
- Serviceable electrode stack and lamp
- Intrinsically safe
- Series 4/A package

Typical Applications

- LEL measurement
- Leak detection and repair LDAR
- EPA method 21
- Process control
- Industrial health and safety
- Confined space entry

Performance

Electrode Stack Color	Blue
Minimum Detection Limit	500 ppb
Range	>10,000 ppm
T90 Response Time (S)	<3s
Sensitivity	>0.4mV/ppm @ 100 ppm



Power & Signal

Supply Voltage (using internal regulator)	3.6 - 18 V (non intrinsically safe 10 - 18 V)
Supply Voltage (using a regulated power supply)	3 - 3.6 V
Current	20 - 32 mA (130 for 100 ms at start up)
Power Consumption	100 mW at 3.3 V
Output Signal (using internal regulator)	0 - 3.2 V
Output Signal (using a regulated power supply)	0 to rail voltage - 0.1 V

Environmental

Temperature Range	-40 to 65 °C
Relative Humidity Range	0 - 99% RH (non condensing)



Lifetime & Warranty

Sensor Life	>5 years
Lamp Life	10.6 eV 10,000 hours
Warranty	10.6 eV lamp and MiniPID 2 Body = 12 months

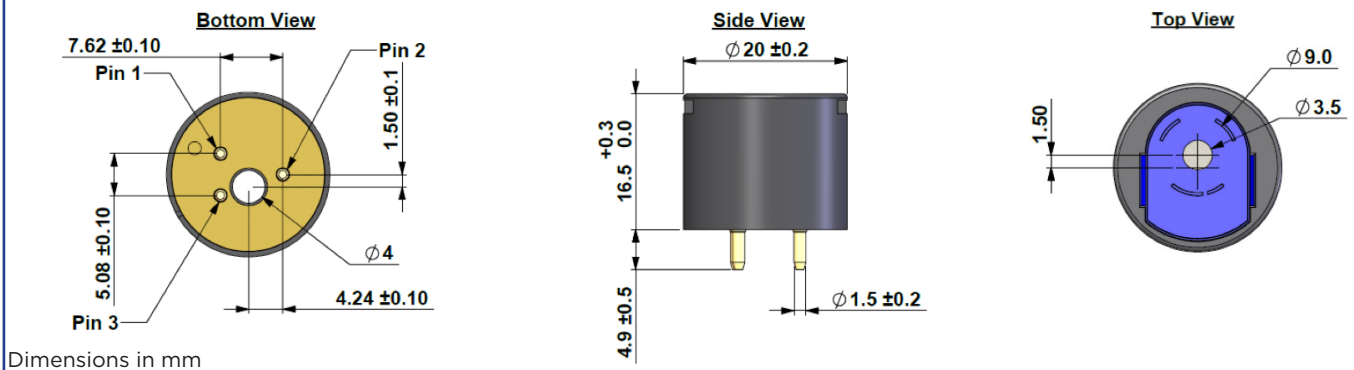
Order Code Intrinsically Safe Supply Voltage

MP3SWMLLAU2	✓	3.0V to 3.2V
MP3SWMLLBU2	✓	3.2V to 3.6V
MP3SWMLLCU2	✓	3.6V to 10V
MP3SWMLLNU2	✗	3.6V to 18V

Patents & Certification

Patents	US 7.046.012 EC 1474681
Europe	ATEX II 1G Ex ia IIC Ga (-40 °C ≤ Ta ≤ +55 °C) @ 1.1W
Worldwide	IECEx II 1G Ex ia IIC Ga (-40 °C ≤ Ta ≤ +55 °C) @ 1.1W
North America	UL913 (8th) Edition Class I, II, III, Division 1 CSA-C22.2 No157-92
Eurasian Customs Union	№ EAЭC RU C-GB.HA65.B.00635/20

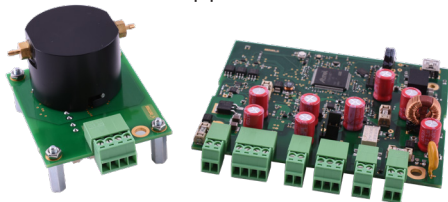
Drawings



Sensor Development Kit (SDK)

Sensor Development Kit is used as an efficient way to test and integrate the ION Science photoionization detection sensors into any application.

SDK includes everything needed to run MiniPID 2 including an integration board, sensor board, gas delivery hood and a PC application.



Other MiniPID 2 Sensors Available

ION Science is a leading manufacturer of VOC gas sensors, our PID sensor technology is trusted by major gas detection manufacturers globally. Other gas sensors from ION Science include:

- MiniPID 2 PPM
- MiniPID 2 PPB WR
- MiniPID 2 PPB
- MiniPID 2 HS
- MiniPID 2 10.0 eV
- MiniPID 2 11.7 eV

